

Use of Fire Pits, Solid Fuel BBQs, Pizza Ovens and Smokers during the Restricted and Prohibited Fire Periods



Restricted and prohibited burning periods generally start 1 October and end 31 May every year. These dates however can be subject to change due to prevailing weather conditions.

Be sure to check with the City of Kalamunda burning dates and restrictions before lighting up.

Fire Pits

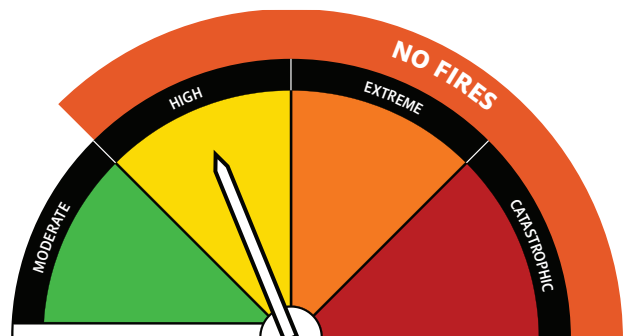
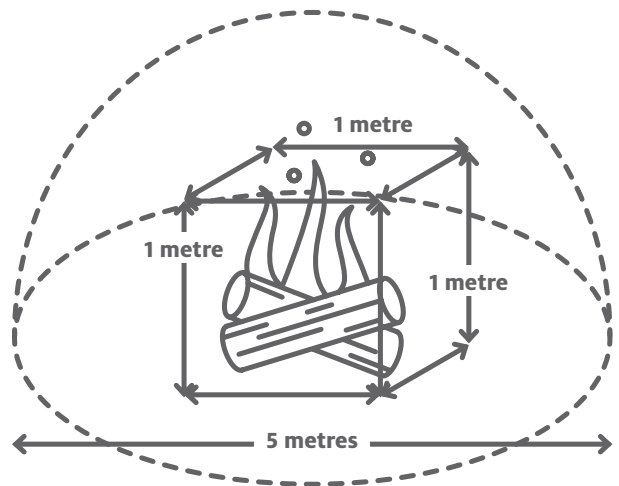
Fire pits can be used during both the open and restricted burning periods, but NOT during the prohibited burning period. These generally fall between the following dates:

- ✓ **Restricted burning period** - 1 October to 30 November and 1 April to 31 May
- ✓ **Open (permitted) burning period** - 1 June to 30 September
- ✗ **Prohibited burning period** - 1 December to 31 March



When preparing your fire pit **during the restricted period** there are **rules in place** to ensure there is no chance the fire will escape or cause issues to neighbours and properties.

- » The pile to be burnt must not exceed 1m³ (1m x 1m x 1m). If the pile is going to exceed 1m³ you will require a permit to burn.
- » Burning a 1m³ pile size won't require a permit as long as it's only lit between the hours of 6pm and 11pm and is fully extinguished by midnight on the same day.
- » An area of 5 meters surrounding the fire pit must be clear of all flammable material.
- » A suitable source of water must be on site and be able to reach the fire to fully extinguish it.
- » At least one person must remain in attendance of the fire when lit at all times up until midnight when it's to be fully extinguished.
- » It's always recommended that if burning 1m³ between 6 pm-11 pm without a permit to register your burning activity (to DFES on 1800 198 140) and notify your neighbours in case of smoke.



No burning is permitted on days declared a Total Fire Ban for the area and/or on days when the Fire Danger Rating is High or above.

BBQs | Pizza Ovens | Smokers (solid fuel)

For the purpose of cooking, BBQs, pizza ovens and smokers can be used any time of the year, **HOWEVER** there are rules surrounding the use of solid fuels for outdoor cookers.



- ✓ **Restricted burning period***
1 October to 30 November
and 1 April to 31 May
- ✓ **Open (permitted) burning period**
1 June to 30 September
- ✓ **Prohibited burning period***
1 December to 31 March

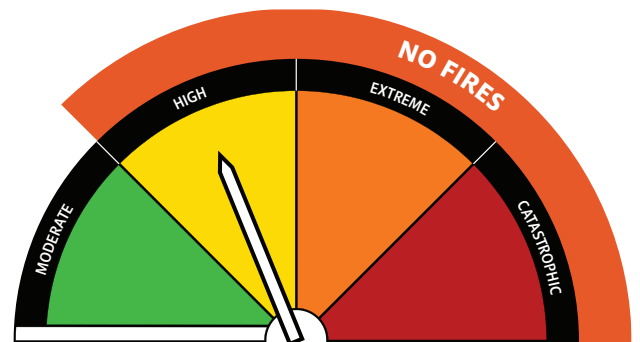
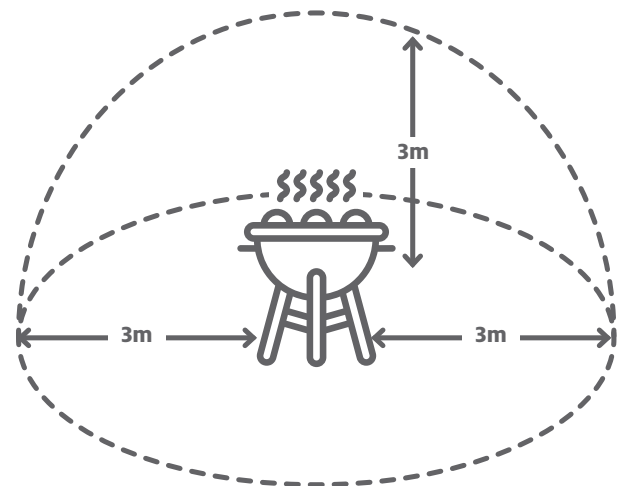
*Condition apply

Conditions apply below:

When preparing to use any of the above **during both the restricted and prohibited burning period** there are **rules in place** to ensure there is no chance the fire will escape or cause issues to neighbors and properties.

- » A total area of 6 meters surrounding the cooker must be clear of all flammable material.
- » At the completion of using the cooker the fire must be fully extinguished by water.
- » A suitable water source must be on-site and be able to reach the fire to fully extinguish it (with no hot ash remaining).
- » At least one person remain in attendance of the fire when lit until fully extinguished (don't leave the house while it cooks).
- » It is always recommended that you let your neighbours know you will be using these devices and that there may be some smoke.

No burning of solid fuels is permitted on days declared a Total Fire Ban for the area and/or on days when the Fire Danger Rating is High or above



Gas Cookers

- » Using a gas appliance comprising of a flame that doesn't consume any solid fuel can be used at any time providing the flame is fully enclosed.
- » The area of 5 meters must be free of all flammable material.
- » The appliance is to be used at home or at a location set aside by the State or local government for the purpose of cooking.
- » If you are utilising cooking appliances for a business (catering), visit [dfes.wa.gov.au](https://www.dfes.wa.gov.au) for exemptions that may apply.